



XPLOR[®]
2017-2018 HANDWEAR

WWW.XPLORDIRECT.COM

XP1060-1 M

MENS ST.SAUVEUR GLOVE



BLACK/WHITE

SIZE	S	M	L	XL
COLORS	BLACK/WHITE	BLACK/RED	BLACK/GREY	
EMBROIDERY	WHITE	RED	GREY	



BLACK/RED



BLACK/GREY

SHELL: Softshell & oxford nylon

PALM: Goat skin leather & soft PU sure grip

INSULATION: Velvet 160g Fiberfill + 120g Fiberfill at back

FEATURES:

- Nose wipe
- Adjustable web strap
- Gauntlet cuff with drawstring closure
- Mesh-lined pocket with waterproof zipper
- Fantex® waterproof insert, breathable
- Premium goatskin reinforced fingertips

PACK:

- 1 color way per box
- Dozen Assortment: 1/S-3/M-5/L-3/XL = 12 Prs ;
- 36 Pairs to master carton
- Breakdown: 3/S-9/M-15/L-9/XL

WATERPROOF/BREATHABLE

XP1062-1 M

MENS AVILA SNOWBOARD GLOVE



BLACK/BLACK

SIZE	S	M	L	XL
COLORS	BLACK/BLACK	BLACK/WHITE	BLACK/GREY	BLACK/NAVY
EMBROIDERY	BLACK	WHITE	GREY	NAVY



BLACK/WHITE

BLACK/GREY

BLACK/NAVY

SHELL: Neoprene & ribbed fabric

PALM: Amara suede with silicone sure grip

INSULATION: Bemburg 2mm foam

FEATURES:

- Nose wipe
- Waterproof insert, breathable
- Adjustable velcro strap

PACK:

- 1 color way per box
- Dozen Assortment: 1/S-3/M-5/L-3/XL = 12 Prs ;
- 60 Pairs to master carton
- Breakdown: 5/S-15/M-25/L-15/XL

XP1064-1 M

MENS MONT BLANC PIPE GLOVE



BLACK/WHITE



BLACK/GREY



BLACK/NAVY

SIZE	S	M	L	XL
COLORS	BLACK/WHITE	BLACK/GREY	BLACK/NAVY	
EMBROIDERY	WHITE	GREY	NAVY	

SHELL: Stretch woven twill & neoprene

PALM: Amara suede with silicone sure grip

INSULATION: 2MM foam

FEATURES:

- Nose wipe
- Waterproof insert, breathable
- Adjustable velcro strap

PACK:

- 1 color way per box
- Dozen Assortment: 1/S-3/M-5/L-3/XL = 12 Prs ;
- 60 Pairs to master carton
- Breakdown: 5/S-15/M-25/L-15/XL

XP1010-1 M

MENS LAVAL ALL PURPOSE GLOVE



BLACK/SADDLE

SIZE	S	M	L	XL
COLORS	BLACK/SADDLE		BLACK/BLACK	
EMBROIDERY	SADDLE		BLACK	



BLACK/BLACK

SHELL: Rib Spandex & Neoprene

PALM: Amara Suede & Polyurethane

INSULATION: 220g Fleece

- FEATURES:**
- Waterproof insert, breathable
 - Nose wipe
 - Adjustable Velcro strap
 - Reinforced palm patch

- PACK:**
- 1 color way per box
 - Dozen Assortment: 1/S-3/M-5/L-3/XL = 12 Prs ;
 - 60 Pairs to master carton
 - Breakdown: 5/S-15/M-25/L-15/XL

XP1066-1 M

MENS OLYMPIA MITTEN



BLACK/WHITE



BLACK/RED



BLACK/GREY

SIZE	S	M	L	XL
COLORS	BLACK/WHITE	BLACK/RED	BLACK/GREY	
EMBROIDERY	WHITE	RED	GREY	

SHELL: Sotina & neoprene

PALM: Soft PU sure grip

INSULATION: Velvet & 180g Fiberloft + 180g Fiberloft at back

FEATURES:

- Nose wipe
- Adjustable web strap
- Gauntlet cuff with drawstring closure
- Mesh-lined pocket with waterproof zipper
- Waterproof Insert, breathable

PACK:

- 1 color way per box
- Dozen Assortment: 1/S-3/M-5/L-3/XL = 12 Prs ;
- 48 Pairs to master carton
- Breakdown: 4/S-12/M-20/L-12/XL

XP1073-1 M

MENS MASTODON GLOVE



BLACK

SHELL: Rugged oxford hardshell

PALM: Soft PU sure grip with micro fleece trims

INSULATION: 200g Thinsulate® with 2mm foam+
200g Fiberfill at back

FEATURES:

- Nose wipe
- Adjustable web strap
- Gauntlet cuff with drawstring closure
- Cuff leash with barrel lock & end strap
- Waterproof insert, breathable

PACK:

- 1 color way per box
- Dozen Assortment: 1/S-3/M-5/L-3/XL = 12 Prs ;
- 24 Pairs to master carton
- Breakdown: 2/S-6/M-10/L-6/XL

SIZE	S	M	L	XL
COLORS	BLACK			
EMBROIDERY	CHARCOAL			

XP1074-1 M

MENS BELLE NEIGE MITTEN



BLACK

SHELL: Rugged oxford hardshell

PALM: Soft PU sure grip & sotina & micro fleece trims

INSULATION: 200g Thinsulate® & 150g Thinsulate® + 200g Fiberfill at back

- FEATURES:**
- Nose wipe
 - Adjustable web strap
 - Gauntlet cuff with drawstring closure
 - Cuff leash with barrel lock & end strap
 - Double insulation
 - Waterproof insert, breathable

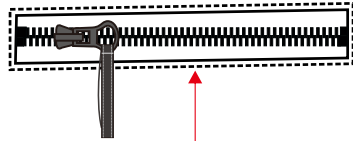
- PACK:**
- 1 color way per box
 - Dozen Assortment: 1/S-3/M-5/L-3/XL = 12 Prs ;
 - 24 Pairs to master carton
 - Breakdown: 2/S-6/M-10/L-6/XL

SIZE	S	M	L	XL
COLORS	BLACK			
EMBROIDERY	CHARCOAL			

WATERPROOF/BREATHABLE

XP1075-1 M

MENS LACHUTE INDEX FINGER POCKET GLOVE



BLACK

SHELL: Rugged oxford hardshell

PALM: Soft PU sure grip with micro fleece trims

INSULATION: 200g Thinsulate® & 150g Thinsulate® +200g Fiberfill at back

- FEATURES:**
- Nose wipe
 - Adjustable web strap
 - Gauntlet cuff with drawstring closure
 - Cuff leash with barrel lock & end strap
 - Hidden hot shot pocket with zipper and self fabric zipper pull
 - Reflective piping on knuckle
 - Double insulation
 - Waterproof insert, breathable

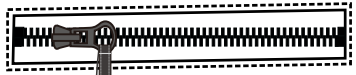
- PACK:**
- 1 color way per box
 - Dozen Assortment: 1/S-3/M-5/L-3/XL = 12 Prs ;
 - 24 Pairs to master carton
 - Breakdown: 2/S-6/M-10/L-6/XL

SIZE	S	M	L	XL
COLORS	BLACK			
EMBROIDERY	DARK GRAY			

HIDDEN HOT SHOT POCKET
WATERPROOF/BREATHABLE

XP1076-1 M

MENS MIRABEL POCKET GLOVE



BLACK

SHELL: Rugged oxford hardshell

PALM: Soft PU sure grip with micro fleece trims

INSULATION: 200g Thinsulate® with 2mm foam+ 200g Fiberfill at back

FEATURES:

- Nose wipe
- Adjustable web strap
- Gauntlet cuff with drawstring closure
- Cuff leash with barrel lock & end strap
- Hidden hot shot pocket with zipper and self fabric zipper pull
- Reflective piping on knuckle
- Waterproof insert, breathable

PACK:

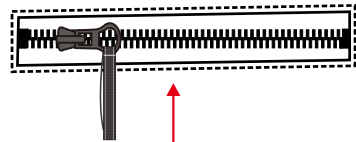
- 1 color way per box
- Dozen Assortment: 1/S-3/M-5/L-3/XL = 12 Prs ;
- 24 Pairs to master carton
- Breakdown: 2/S-6/M-10/L-6/XL

SIZE	S	M	L	XL
COLORS	BLACK			
EMBROIDERY	DARK GRAY			

HIDDEN HOT SHOT POCKET
WATERPROOF/BREATHABLE

XP1077-1 M

MENS ROSEMERE POCKET MITTEN



BLACK

SHELL: Rugged oxford hardshell

PALM: Soft PU sure grip with micro fleece trims

INSULATION: 200g Thinsulate® & 150g Thinsulate® +200g Fiberfill at back

- FEATURES:**
- Nose wipe
 - Adjustable web strap
 - Gauntlet cuff with drawstring closure
 - Cuff leash with barrel lock & end strap
 - Hidden hot shot pocket with zipper and self fabric zipper pull
 - Reflective piping on knuckle
 - Double insulation
 - Waterproof insert, breathable

- PACK:**
- 1 color way per box
 - Dozen Assortment: 1/S-3/M-5/L-3/XL = 12 Prs ;
 - 24 Pairs to master carton
 - Breakdown: 2/S-6/M-10/L-6/XL

SIZE	S	M	L	XL
COLORS	BLACK			
EMBROIDERY	DARK GRAY			

HIDDEN HOT SHOT POCKET
WATERPROOF/BREATHABLE

XP1078-1 M

MENS VAL DAVID SKI GLOVE



BLACK/BLACK

SHELL: Softshell & oxford nylon

PALM: Faux goat skin

INSULATION: Velvet 160g fiberfill & 120g fiberfill

FEATURES:

- Nose wipe
- Adjustable web strap
- Gauntlet cuff with drawstring closure
- Mesh-lined pocket with waterproof zipper
- Fantex® waterproof insert, breathable

PACK:

- 1 color way per box
- Dozen Assortment: 1/S-3/M-5/L-3/XL = 12 Prs ;
- 36 Pairs to master carton
- Breakdown: 3/S-9/M-15/L-9/XL

SIZE	S	M	L	XL
COLORS	BLACK/BLACK			
EMBROIDERY	BLACK			

WATERPROOF/BREATHABLE

XP1079-1 M

MENS MONT LAURIER 4 FINGERS SKI MITTEN



BLACK/BLACK

SHELL: Sotina & Oxford fabric

PALM: Soft PU sure grip

INSULATION: Velvet & 180g fiberloft + 180g fiberloft at back

FEATURES:

- Nose wipe
- Adjustable web strap
- Gauntlet cuff with drawstring closure
- Mesh-lined pocket with waterproof zipper
- Waterproof Insert, breathable
- Reinforced palm patch

PACK:

- 1 color way per box
- Dozen Assortment: 1/S-3/M-5/L-3/XL = 12 Prs ;
- 48 Pairs to master carton
- Breakdown: 4/S-12/M-20/L-12/XL

SIZE	S	M	L	XL
COLORS	BLACK/BLACK			
EMBROIDERY	CHARCOAL			

XP1082-1 M

MENS GARCEAU SKI GLOVE



BLACK/BLACK

SHELL: Sotina & doby knit

PALM: Faux goat skin/PU leather

INSULATION: 3M 40g Thinsulate & 120g fiberfill+
120g fiberfill & 2mm foam at back

FEATURES:

- Comfortable embossing knuckles
- Fantex® waterproof Insert, breathable
- Adjustable web strap
- Reinforced palm patch
- Gauntlet cuff

PACK:

- 1 color way per box
- Dozen Assortment: 1/S-3/M-5/L-3/XL = 12 Prs ;
- 36 Pairs to master carton
- Breakdown: 3/S-9/M-15/L-9/XL

SIZE	S	M	L	XL
COLORS	BLACK/BLACK			
EMBROIDERY	BLACK			

WATERPROOF/BREATHABLE

XP1090-1 M

MENS TREMBLANT SKI GLOVE



BLACK/BLACK

SHELL: 3M Scotchgard WP Goat Skin Leather

PALM: 3M Scotchgard WP Goat Skin Leather

INSULATION: Bemburg 100g Primaloft® Sliver

- FEATURES:**
- Elastic wrist
 - Mesh Leather and Padded back knuckle
 - Gauntlet cuff with drawstring closure
 - Hipora® waterproof insert, breathable
 - Reinforced palm patch
 - Premium waterproof goatskin

- PACK:**
- 1 color way per box
 - Dozen Assortment: 1/S-3/M-5/L-3/XL = 12 Prs ;
 - 48 Pairs to master carton
 - Breakdown: 4/S-12/M-20/L-12/XL

SIZE	S	M	L	XL
COLORS	BLACK/BLACK			
EMBROIDERY	BLACK			

ALL GREAT QUALITY LEATHER
WATERPROOF/BREATHABLE

XP1091-1 M

MENS GABRIEL MITTEN



BLACK/BLACK



SHELL: 3M Scotchgard WP Goat Skin Leather

PALM: 3M Scotchgard WP Goat Skin Leather

INSULATION: Bemburg100g Primaloft® Silver

- FEATURES:**
- Elastic wrist
 - Gauntlet cuff with drawstring closure
 - Hipora® waterproof insert, breathable
 - Reinforced palm patch
 - Premium waterproof goatskin

- PACK:**
- 1 color way per box
 - Dozen Assortment: 1/S-3/M-5/L-3/XL = 12 Prs ;
 - 48 Pairs to master carton
 - Breakdown: 4/S-12/M-20/L-12/XL

SIZE	S	M	L	XL
COLORS	BLACK/BLACK			
EMBROIDERY	BLACK			

ALL GREAT QUALITY LEATHER
WATERPROOF/BREATHABLE

XP1092-1 M

MENS HABITANT 4 FINGERS SKI MITTEN



BLACK/BLACK



SHELL: 3M Scotchgard WP Goat Skin Leather

PALM: 3M Scotchgard WP Goat Skin Leather

INSULATION: Bemburg100g Primaloft® Silver

FEATURES:

- Elastic wrist
- Gauntlet cuff with drawstring closure
- Hipora® waterproof insert, breathable
- Reinforced palm patch
- Premium waterproof goatskin

PACK:

- 1 color way per box
- Dozen Assortment: 1/S-3/M-5/L-3/XL = 12 Prs ;
- 48 Pairs to master carton
- Breakdown: 4/S-12/M-20/L-12/XL

SIZE	S	M	L	XL
COLORS	BLACK/BLACK			
EMBROIDERY	BLACK			

ALL GREAT QUALITY LEATHER
WATERPROOF/BREATHABLE

XP1066-2 L

LADIES SUTTON MITTEN



BLACK/RASPBERRY



BLACK/WHITE

BLACK/GREY

SIZE	S	M	L
COLORS	BLACK/WHITE	BLACK/RASPBERRY	BLACK/GREY
EMBROIDERY	WHITE	RASPBERRY	GREY

SHELL: Sotina & neoprene

PALM: Soft PU sure grip

INSULATION: Velvet & 180g Fiberloft + 180g Fiberloft at back

FEATURES:

- Nose wipe
- Adjustable web strap
- Gauntlet cuff with drawstring closure
- Mesh-lined pocket with waterproof zipper
- Waterproof Insert, breathable

PACK:

- 1 color way per box
- Dozen Assortment: 3/S-6/M-3/L = 12 Prs ;
- 48 Pairs to master carton
- Breakdown: 12/S-24M-12/L

WATERPROOF/BREATHABLE

XP1067-2 L

LADIES BROMONT SKI GLOVE



BLACK/WHITE



BLACK/RASPBERRY



BLACK/GREY



SHELL: Sotina & softshell

PALM: Soft PU sure grip

INSULATION: Velvet & 180g Fiberloft + 180g Fiberloft at back

- FEATURES:**
- Nose wipe
 - Adjustable web strap
 - Gauntlet cuff with drawstring closure
 - Mesh-lined pocket with waterproof zipper
 - Waterproof Insert, breathable

- PACK:**
- 1 color way per box
 - Dozen Assortment: 3/S-6/M-3/L = 12 Prs ;
 - 48 Pairs to master carton
 - Breakdown: 12/S-24/M-12/L

SIZE	S	M	L
COLORS	BLACK/WHITE	BLACK/RASPBERRY	BLACK/GREY
EMBROIDERY	WHITE	RASPBERRY	GREY

XP1068-2 L

LADIES CLIFF GLOVE



RED



LIGHT BLUE



BLACK

SIZE	S	M	L
COLORS	RED	LIGHT BLUE	BLACK
EMBROIDERY	WHITE	WHITE	WHITE

SHELL: Taffeta

PALM: Soft PU sure grip

INSULATION: 140g Fiberfill + 160g Fiberfill at back

FEATURES: • Hipora® waterproof Insert, breathable
• Elastic knit cuff

PACK: • 1 color way per box
• Dozen Assortment: 3/S-6/M-3/L= 12 Prs ;
• 60 Pairs to master carton
• Breakdown: 15/S-30/M-15/L

XP1069-2 L

LADIES KNOWLTON GLOVE



ORANGE



LAVENDER



DARK BLUE



DARK PURPLE



BLACK

SIZE	S		M		L
COLORS	BLACK	DARK PURPLE	LAVENDER	ORANGE	DARK BLUE
HEAT SEAL LOGO	SILVER				

SHELL: Polyester mini ripstop

PALM: Soft PU sure grip

INSULATION: 60g Fiberloft + 60 fiberloft & Duck down at back

FEATURES: • Waterproof insert, breathable
• Down proof shell
• Conductive full fingers

PACK: • 1 color way per box
• Dozen Assortment: 3/S-6/M-3/L = 12 Prs ;
• 60 Pairs to master carton
• Breakdown: 15/S-30/M-15/L

ALL TOUCH FINGERS
DUCK DOWN INSULATION
WATERPROOF/BREATHABLE

XP1070-2 L

LADIES LE MASSIF MITTEN



SNOW WHITE



BLACK

SIZE	S	M	L
COLORS	SNOW WHITE		BLACK
EMBROIDERY	GREY		GREY

SHELL: Sotina

PALM: Goatskin leather & soft PU sure grip & neoprene

INSULATION: Velvet & 100g Primaloft® & 40g Fiberloft + Mixed down & 300g Fiberloft at back

FEATURES:

- Fantex® waterproof insert, breathable
- Adjustable velcro strap
- Premium goatskin reinforced fingertips

PACK:

- 1 color way per box
- Dozen Assortment: 3/S-6/M-3/L = 12 Prs ;
- 48 Pairs to master carton
- Breakdown: 12/S-24/M-12/L

MIXED DOWN INSULATION
WATERPROOF/BREATHABLE

XP1071-2 L

LADIES STONEHAM MITTEN



RASPBERRY

SIZE	S	M	L
COLORS	BLACK	WHITE	RASPBERRY
EMBROIDERY	GREY	GREY	GREY



BLACK



WHITE



SHELL: Stretch woven twill

PALM: Goatskin leather

INSULATION: 140g Fiberfill + 120g Fiberfill at back

FEATURES:

- Hipora® waterproof insert, breathable
- Zipper at wrist

PACK:

- 1 color way per box
- Dozen Assortment: 3/S-6/M-3/L = 12 Prs ;
- 72 Pairs to master carton
- Breakdown: 18/S-36/M-18/L

XP1079-2 L

LADIES ORFORD 4 FINGERS MITTEN



BLACK/BLACK

SHELL: Sotina & Oxford fabric

PALM: Soft PU sure grip

INSULATION: Velvet & 180g fiberloft +
180g fiberloft at back

- FEATURES:**
- Nose wipe
 - Adjustable web strap
 - Gauntlet cuff with drawstring closure
 - Mesh-lined pocket with waterproof zipper
 - Waterproof Insert, breathable
 - Reinforced palm patch

- PACK:**
- 1 color way per box
 - Dozen Assortment: 3/S-6/M-3/L = 12 Prs ;
 - 48 Pairs to master carton
 - Breakdown: 12/S-24/M-12/L

SIZE	S	M	L
COLORS	BLACK/BLACK		
EMBROIDERY	BLACK		

XP1080-2 L

LADIES MONT ST. ANNE SKI GLOVE



BLACK/BLACK

SHELL: Sotina & softshell

PALM: Soft PU sure grip

INSULATION: Velvet & 180g fiberloft +
180g fiberloft at back

FEATURES:

- Nose wipe
- Adjustable web strap
- Gauntlet cuff with drawstring closure
- Mesh-lined pocket with waterproof zipper
- Waterproof Insert, breathable
- Reinforced palm patch

PACK:

- 1 color way per box
- Dozen Assortment: 3/S-6/M-3/L = 12 Prs ;
- 48 Pairs to master carton
- Breakdown: 12/S-24/M-12/L

SIZE	S	M	L
COLORS	BLACK/BLACK		
EMBROIDERY	BLACK		

XP1081-2 L

LADIES CHARLEVOIX GLOVE



BLACK/BLACK

SHELL: Soft shell

PALM: Amara suede with silicone sure grip

INSULATION: Bemburg & 2mm foam

FEATURES:

- Elastic wrist
- silicone printing
- Waterproof Insert, breathable

PACK:

- 1 color way per box
- Dozen Assortment: 3/S-6/M-3/L = 12 Prs ;
- 72 Pairs to master carton
- Breakdown: 18/S-36/M-18/L

SIZE	S	M	L
COLORS	BLACK/BLACK		
EMBROIDERY	BLACK		

XP1093-2 L

LADIES VAL D'IRENE 4 FINGERS SKI MITTEN



BLACK/BLACK



SHELL: 3M Scotchgard WP Goat Skin Leather

PALM: 3M Scotchgard WP Goat Skin Leather

INSULATION: Bemburg 100g primaloft® silver & Mixed down +300g fiberloft at back

FEATURES:

- Elastic wrist
- Adjustable velcro strap
- Reinforced palm patch
- Hipora® waterproof insert, breathable
- Premium waterproof goatskin

PACK:

- 1 color way per box
- Dozen Assortment: 3/S-6/M-3/L = 12 Prs ;
- 48 Pairs to master carton
- Breakdown: 12/S-24/M-12/L

SIZE	S	M	L
COLORS	BLACK/BLACK		
EMBROIDERY	BLACK		

MIXED DOWN INSULATION
ALL GREAT QUALITY LEATHER
WATERPROOF/BREATHABLE

XP1094-2 L

LADIES OWL'S HEAD 4 FINGERS SKI MITTEN



BLACK/BLACK



SHELL: 3M Scotchgard WP Goat Skin Leather

PALM: 3M Scotchgard WP Goat Skin Leather

INSULATION: Bemburg 100g primaloft® silver
+100g fiberloft at back

- FEATURES:**
- Elastic wrist
 - Quilted back design
 - Reinforced palm patch
 - Hipora® waterproof insert, breathable
 - Premium waterproof goatskin

- PACK:**
- 1 color way per box
 - Dozen Assortment: 3/S-6/M-3/L = 12 Prs ;
 - 48 Pairs to master carton
 - Breakdown: 12/S-24/M-12/L

SIZE	S	M	L
COLORS	BLACK/BLACK		
EMBROIDERY	BLACK		

ALL GREAT QUALITY LEATHER
WATERPROOF/BREATHABLE

Glove Packaging



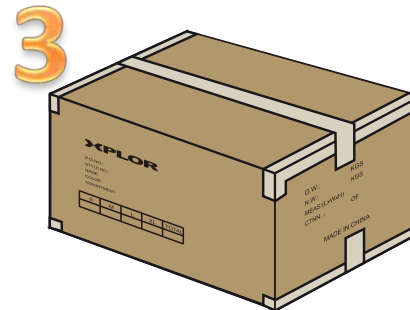
Glove Packaging



Glove Packaging



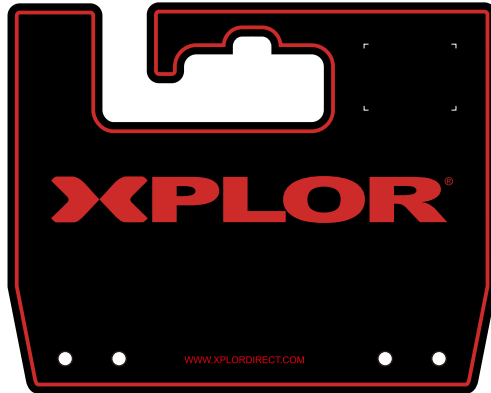
Hangtag + J-hook



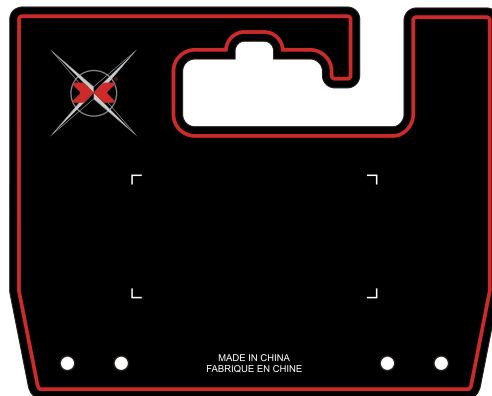
1. Pack and seal 1 pair in a poly bag and apply poly bag label on the outside.
2. Place approved number of pairs in the master carton.

XPLOR®

HANG TAGS



Front



Back

HEADER CARD

Material: white cardboard 300g, matte film, 4 mounts, 1.8mm thickness



Front



Back

DRY-TAG

Material: white cardboard 300g, glossy film.



Front



Back

HANG TAG

Material: white cardboard 300g, matte film



Front



Back

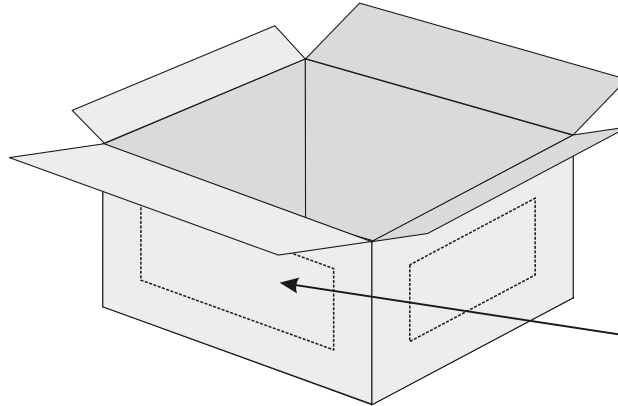
XPLOR TOUCH TAG

Material: white cardboard 300g, matte film

CARTON MARKS

Same one dimension master carton for all glove and mitten
Measurement: 23¼ X 15¾ X 15¾ inch (Or 59cm X 39cm X 39cm)

Main marking to be Printed on both sides of box.



Main Marking for pre - pack assortments.

XPLOR

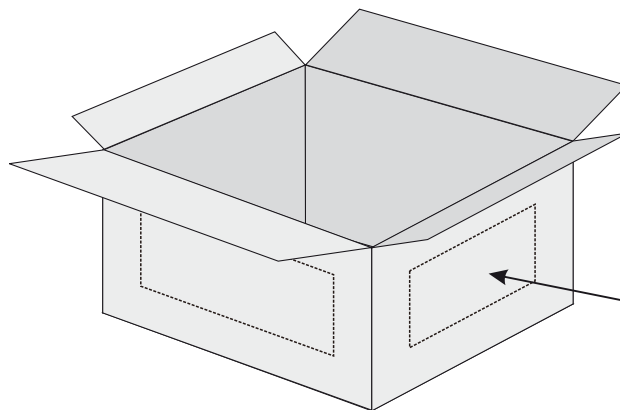
P.O.NO.:
STYLE NO.:
NAME:
COLOR:
ASSORTMENT:

S	M	L	XL	TOTAL

4"
6"

Bar code size:4"X6"
Or store address

Side Marking to be printed on both ends of box.



Side Marking:

G.W.: KGS
N.W.: KGS
MEAS: (LxWxH)cm
CTN. : OF

MADE IN CHINA

XPLOR®

Jiaxing Tophand Innovative Accessories Ltd.
Unit A, No. 623, Yizhuang Road, Jiaxing,
Zhejiang, 314033, China
E: info@tophandltd.com

North American Sales Office
Xplordirect.com Inc.
116 Ave. De Chateaufort,
Saint-Sauveur, Québec
J0R 1R4 Canada

E: markmichel@xplor.ca
T: 514-886-2945
Skype: xplor.ca

